



Features

- Automated power-down when deselected (2148)
- CMOS for optimum speed/power
- Low power
— 660 mW (commercial)
— 770 mW (military)
- 5-volt power supply $\pm 10\%$ tolerance both commercial and military
- TTL-compatible inputs and outputs

Functional Description

The CY2148 and CY2149 are high-performance CMOS static RAMs organized as 1024 by 4 bits. Easy memory expansion is provided by an active LOW chip select (\overline{CS}) input and three-state outputs. The CY2148 and CY2149 are identical except that the CY2148 includes an automatic (\overline{CS}) power-down feature. The CY2148 remains in a low-power mode as long as the device remains deselected, i.e., (\overline{CS}) is HIGH, thus reducing the average power requirements of the device. The chip select (\overline{CS}) of the CY2149 does not affect the power dissipation of the device.

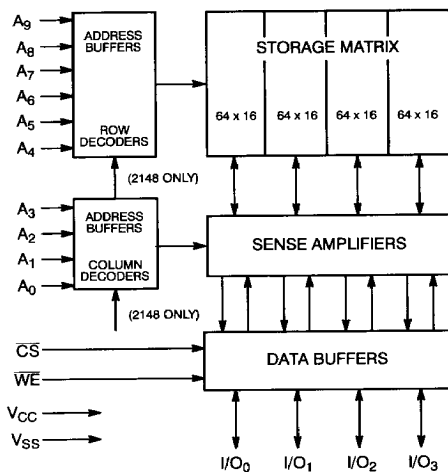
An active LOW write enable signal (\overline{WE}) controls the writing/reading operation of the memory. When the chip select (\overline{CS})

and write enable (\overline{WE}) inputs are both LOW, data on the four data input/output pins (I/O_0 through I/O_3) is written into the memory location addressed by the address present on the address pins (A_0 through A_9).

Reading the device is accomplished by selecting the device, (\overline{CS}) active LOW, while (\overline{WE}) remains inactive or HIGH. Under these conditions, the contents of the location addressed by the information on address pins (A_0 through A_9) is present on the four data input/output pins (I/O_0 through I/O_3).

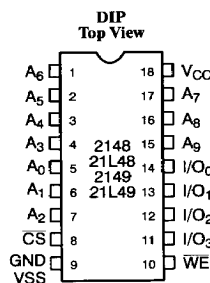
The input/output pins (I/O_0 through I/O_3) remain in a high-impedance state unless the chip is selected and write enable (\overline{WE}) is HIGH.

Logic Block Diagram



2148-1

Pin Configuration



2148-2

Selection Guide (For higher performance and lower power refer to the CY7C148/9 data sheet)

		2148-35 2149-35	21L48-35 21L49-35	2148-45 2149-45	21L48-45 21L49-45	2148-55 2149-55	21L48-55 21L49-55
Maximum Access Time (ns)		35	35	45	45	55	55
Maximum Operating Current (mA)	Commercial	140	120	140	120	140	120
	Military			140		140	

Maximum Ratings

(Above which the useful life may be impaired. For user guidelines, not tested.)

Storage Temperature - 65°C to +150°C
 Ambient Temperature with Power Applied - 55°C to +125°C
 Supply Voltage to Ground Potential (Pin 18 to Pin 9) - 0.5V to +7.0V
 DC Voltage Applied to Outputs in High Z State - 0.5V to +7.0V

DC Input Voltage - 3.0V to + 7.0V
 Output Current into Outputs (Low) 20 mA

Operating Range

Range	Ambient Temperature	V _{CC}
Commercial	0°C to + 70°C	5V ± 10%
Military ^[1]	- 55°C to + 125°C	5V ± 10%

Electrical Characteristics Over the Operating Range^[2]

Parameters	Description	Test Conditions	2148 2149		21L48 21L49		Units
			Min.	Max.	Min.	Max.	
I _{OH}	Output HIGH Current	V _{CC} = Min., V _{OH} = -0.4 mA	2.4		2.4		mA
I _{OL}	Output LOW Current	V _{CC} = Min., V _{OL} = 8.0 mA		0.4		0.4	mA
V _{IH}	Input HIGH Voltage		2.0	6.0	2.0	6.0	V
V _{IL}	Input LOW Voltage		- 3.0	0.8	- 3.0	0.8	V
I _{IX}	Input Load Current	V _{SS} ≤ V _I ≤ V _{CC}	- 10	+ 10	- 10	+ 10	µA
I _{OZ}	Output Leakage Current	GND ≤ V _O ≤ V _{OH} , Output Disabled	T _A = 0°C to +125°C		- 50	+ 50	µA
I _{CC}	V _{CC} Operating Supply Current	Max. V _{CC} , \overline{CS} ≤ V _{IL} , Output Open	T _A = 0°C to +70°C		140	120	mA
			T _A = - 55°C to +125°C		140		
I _{SB}	Automatic \overline{CS} Power-Down Current	Max. V _{CC} , \overline{CS} ≤ V _{IL} (2148 only)	T _A = 0°C to +70°C		30	20	mA
			T _A = - 55°C to +125°C		30		
I _{PO}	Peak Power-On Current ^[3]	Max. V _{CC} , \overline{CS} ≤ V _{IL} (2148 only)	T _A = 0°C to +70°C		50	30	mA
			T _A = - 55°C to +125°C		50		
I _{OS}	Output Short Circuit Current ^[4]	GND ≤ V _O ≤ V _{CC}	T _A = 0°C to +70°C		±275	±275	mA
			T _A = - 55°C to +125°C		±350		

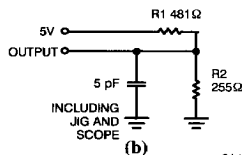
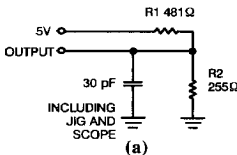
Capacitance^[5]

Parameters	Description	Test Conditions	Max.	Units
C _{IN}	Input Capacitance	T _A = 25°C, f = 1 MHz, V _{CC} = 5.0V	8	pF
C _{OUT}	Output Capacitance		8	pF

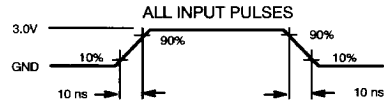
Notes:

1. T_A is the "instant on" case temperature.
2. See the last page of this specification for Group A subgroup testing information.
3. A pull-up resistor to V_{CC} on the \overline{CS} input is required to keep the device deselected during V_{CC} power up. Otherwise, current will exceed values give (CY2148 only).
4. For test purposes, not more than 1 output at a time should be shorted. Short circuit test duration should not exceed 30 seconds.
5. Tested initially and after any design or process changes that may affect these parameters.

AC Test Loads and Waveforms



2148-3



2148-4



Switching Characteristics Over the Operating Range^[2]

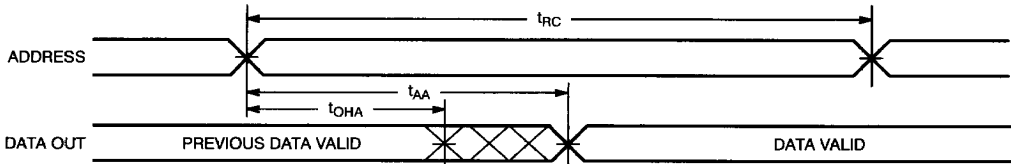
Parameters	Description	2148-35 2149-35		2148-45 2149-45		2148-55 2149-55		Units
		Min.	Max.	Min.	Max.	Min.	Max.	
READ CYCLE								
t _{RC}	Address Valid to Address Do Not Care Time (Read Cycle Time)	35		45		55		ns
t _{AA}	Address Valid to Data Out Valid Delay (Address Access Time)		35		45		55	ns
t _{ACS1} ^[6]	Chip Select LOW to Data Out Valid (CY2148 only)		35		45		55	ns
t _{ACS2} ^[7]			45		55		65	ns
t _{ACS}	Chip Select LOW to Data Out Valid (CY2149 only)		15		20		25	ns
t _{LZ} ^[8]	Chip Select LOW to Data Out Valid	2148	10		10		10	ns
		2149	5		5		5	
t _{HZ} ^[8]	Chp Select HIGH to Data Out Off	0	20	0	20	0	20	ns
t _{OH}	Address Unknown to Data Out Unknown Time	0		5		5		ns
t _{PD}	Chip Select HIGH to Power-Down Delay	2148		30		30		ns
t _{PU}	Chip Select LOW to Power-Up Delay	2149	0		0		0	ns
WRITE CYCLE								
t _{WC}	Address Valid to Address Do Not Care (Write Cycle Time)	35		45		55		ns
t _{WPl} ^[9]	Write Enable LOW to Write Enable HIGH	30		35		40		ns
t _{WR}	Address Hold from Write End	5		5		5		ns
t _{WZ} ^[8]	Write Enable LOW to Output in High Z	0	10	0	15	0	20	ns
t _{DW}	Data-In Valid to Write Enable HIGH	20		20		20		ns
t _{DH}	Data Hold Time	0		0		0		ns
t _{AS}	Address Valid to Write Enable LOW	0		0		0		ns
t _{CW} ^[9]	Chip Select LOW to Write Enable HIGH	30		40		50		ns
t _{OW} ^[8]	Write Enable HIGH to Output in Low Z	0		0		0		ns
t _{AW}	Address Valid to End of Write	30		35		50		ns

Notes:

- Chip deselected greater than 55 ns prior to selection.
- Chip deselected less than 55 ns prior to selection.
- At any given temperature and voltage condition, t_{HZ} is less than t_{LZ} for all devices. Transition is measured ± 500 mV from steady state voltage with specified loading in part (b) of AC Test Loads.
- The internal write time of the memory is defined by the overlap of \overline{CS} LOW and WE LOW. Both signals must be LOW to initiate a write and either signal can terminate a write by going HIGH. The data input set-up and hold timing should be referenced to the rising edge of the signal that terminates the write.

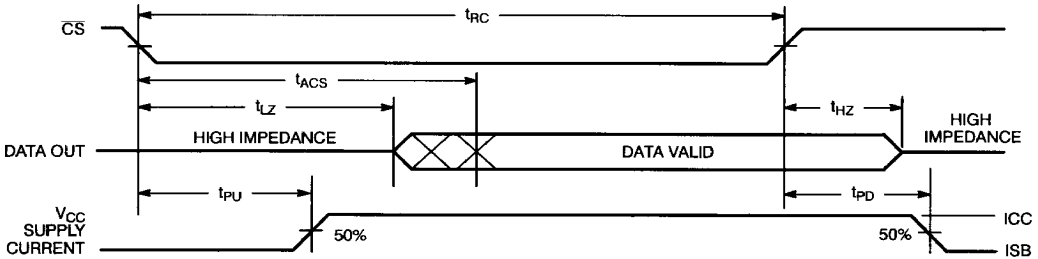
Switching Waveforms

Read Cycle No. 1^[10, 11]



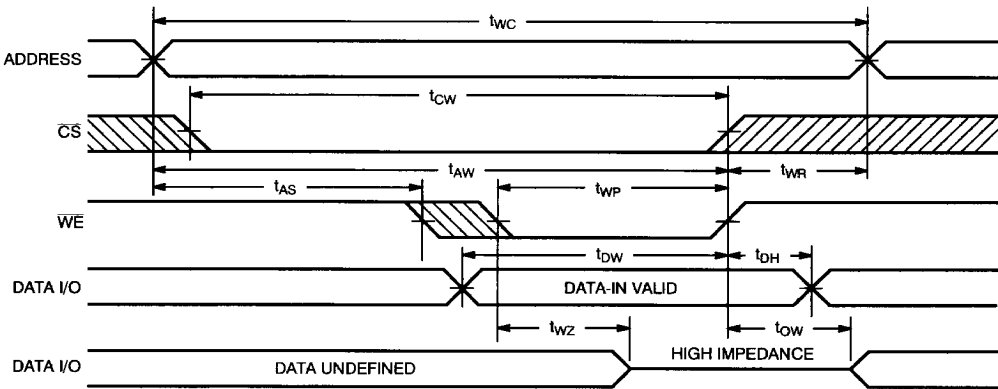
2148-5

Read Cycle No. 2^[10, 12]



2148-6

Write Cycle No. 1 (\overline{WE} Controlled)



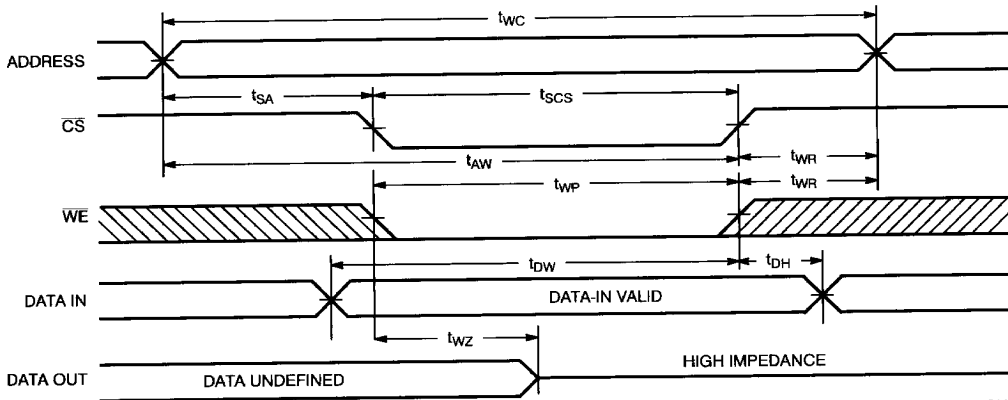
2148-7

Notes:

10. \overline{WE} is HIGH for read cycle.
11. Device is continuously selected, $\overline{CS} = V_{IL}$.
12. Address valid prior to or coincident with \overline{CS} transition LOW.
13. If \overline{CS} goes HIGH simultaneously with \overline{WE} HIGH, the output remains in a high-impedance state.

Switching Waveforms (continued)

Write Cycle No. 2 (CS Controlled) [13]



2148-8

Ordering Information

Speed (ns)	Ordering Code	Package Type	Operating Range
35	CY2148-35PC	P3	Commercial
	CY2148-35DC	D4	
45	CY2148-45PC	P3	Commercial
	CY2148-45DC	D4	Military
	CY2148-45DMB	D4	
55	CY2148-55PC	P3	Commercial
	CY2148-55DC	D4	Military
	CY2148-55DMB	D4	

Speed (ns)	Ordering Code	Package Type	Operating Range
35	CY2149-35PC	P3	Commercial
	CY2149-35DC	D4	
45	CY2149-45PC	P3	Commercial
	CY2149-45DC	D4	Military
	CY2149-45DMB	D4	
55	CY2149-55PC	P3	Commercial
	CY2148-55DC	D4	Military
	CY2148-55DMB	D4	

Speed (ns)	Ordering Code	Package Type	Operating Range
35	CY21L48-35PC	P3	Commercial
	CY21L48-35DC	D4	
45	CY21L48-45PC	P3	Commercial
	CY21L48-45DC	D4	
55	CY21L48-55PC	P3	Commercial
	CY21L48-20DC	D4	

Speed (ns)	Ordering Code	Package Type	Operating Range
35	CY21L49-35PC	P3	Commercial
	CY21L49-35DC	D4	
45	CY21L49-45PC	P3	Commercial
	CY21L49-45DC	D4	
55	CY21L49-55PC	P3	Commercial
	CY21L49-55DC	D4	

MILITARY SPECIFICATIONS
Group A Subgroup Testing

DC Characteristics

Parameters	Subgroups
I _{OH}	1, 2, 3
I _{OL}	1, 2, 3
V _{IH}	1, 2, 3
V _{IL Max.}	1, 2, 3
I _{IX}	1, 2, 3
I _{OZ}	1, 2, 3
I _{CC}	1, 2, 3
I _{SB} ^[14]	1, 2, 3

Switching Characteristics

Parameters	Subgroups
READ CYCLE	
t _{RC}	7, 8, 9, 10, 11
t _{AA}	7, 8, 9, 10, 11
t _{ACS1} ^[14]	7, 8, 9, 10, 11
t _{ACS2} ^[14]	7, 8, 9, 10, 11
t _{ACS} ^[15]	7, 8, 9, 10, 11
t _{OH}	7, 8, 9, 10, 11
WRITE CYCLE	
t _{WC}	7, 8, 9, 10, 11
t _{WP}	7, 8, 9, 10, 11
t _{WR}	7, 8, 9, 10, 11
t _{DW}	7, 8, 9, 10, 11
t _{DH}	7, 8, 9, 10, 11
t _{AS}	7, 8, 9, 10, 11
t _{AW}	7, 8, 9, 10, 11

Notes:

14. CY2148 only.

15. CY2149 only.

Document #: 38-00024-B