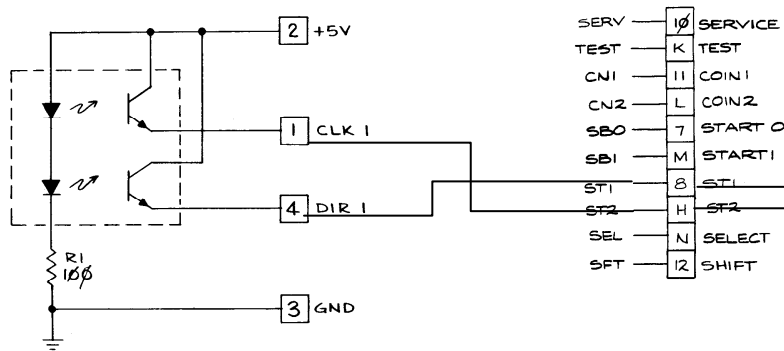


Steering Coupler PCB Schematic



Check Connections to Steering PCB (ST1/ST2 and +5V/GND)
 INFO: These ST1/ST2 are clock inputs from Steering PCB

Check Resistors and connections on PCB

Check or peplace IC 8L - Schmitt Trigger

Replace Custom IC 9K - #53

Pole Position CPU PCB Schematic Diagram

